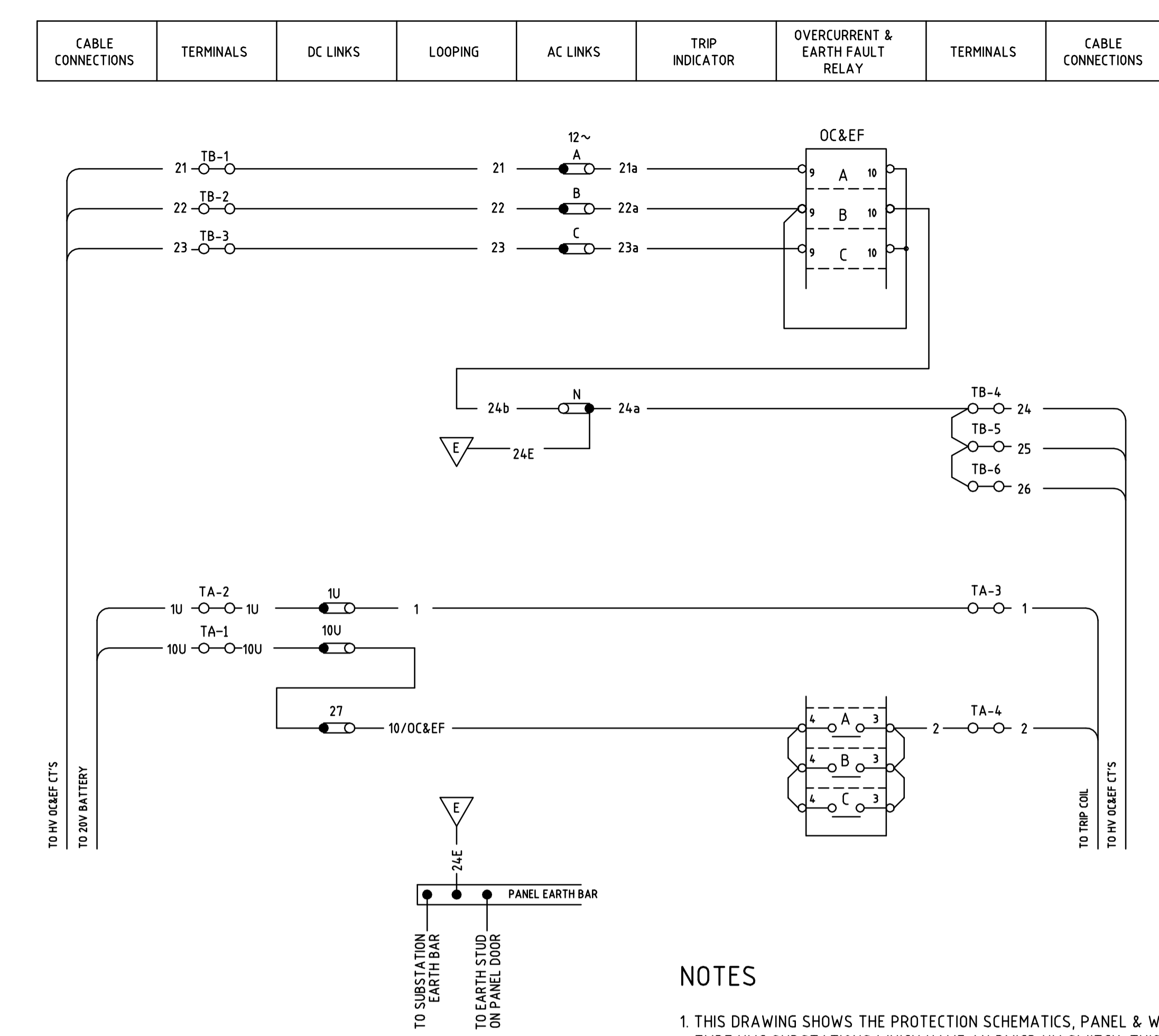


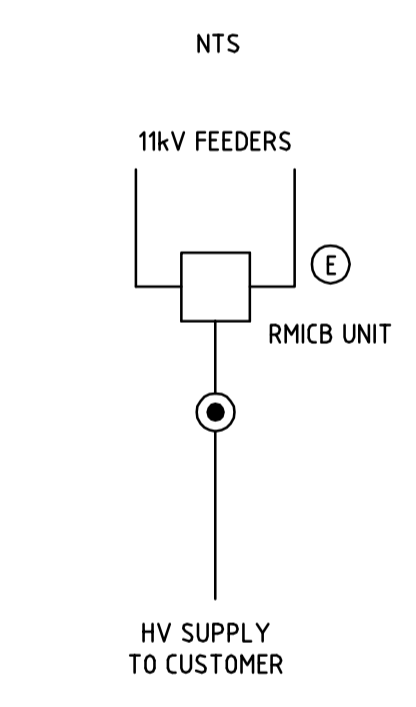
WIRING DIAGRAM



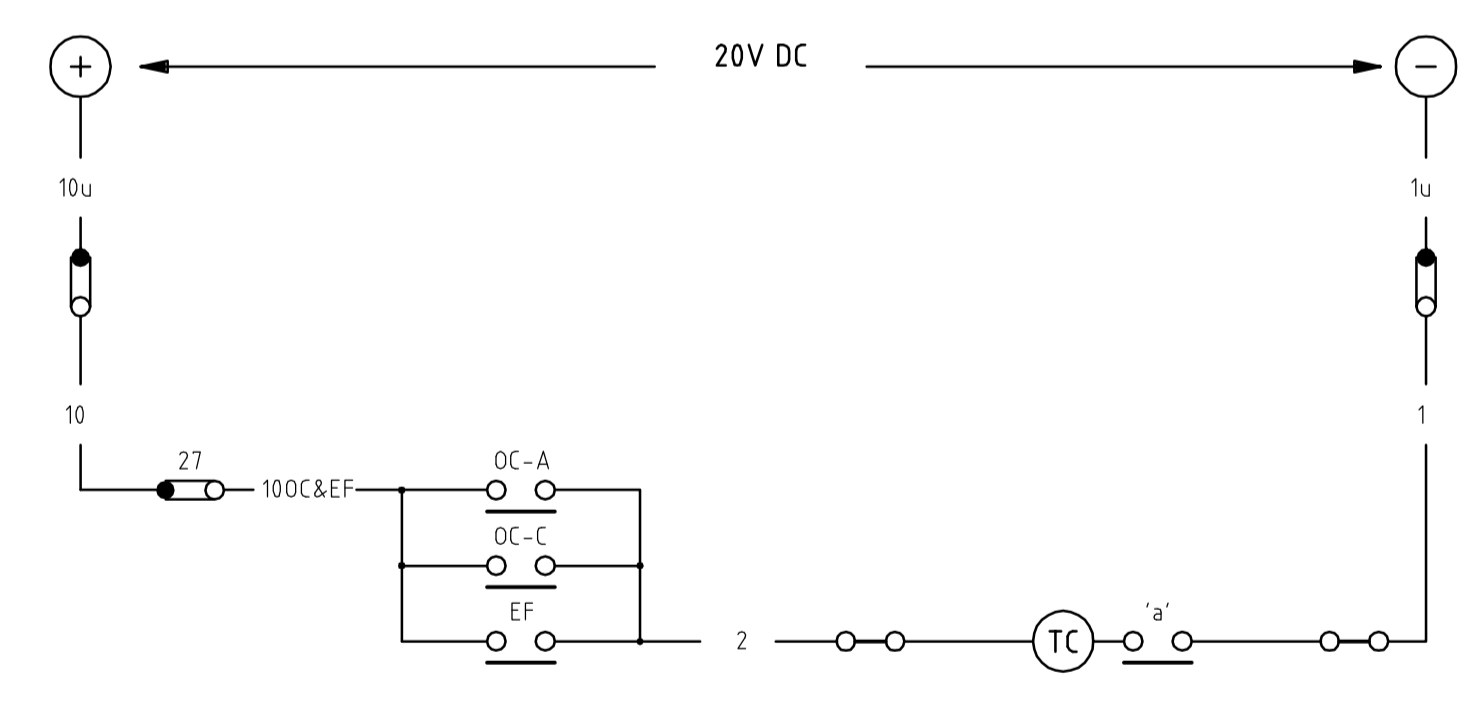
NOTES

- THIS DRAWING SHOWS THE PROTECTION SCHEMATICS, PANEL & WIRING TO BE USED KIOSK & CHAMBER TYPE HVC SUBSTATIONS WHICH HAVE AN RMICB HV SWITCH. THIS DRAWING SHOULD BE READ IN CONJUNCTION WITH NETWORK STANDARDS AND THE SUBSTATION DESIGN INFORMATION PACKAGE.
- ALL PANEL WIRING IS TO BE 7/0.67, 0.6kV V75 GRADE WITH PVC INSULATION. ALL INSULATION IS TO BE GREY COLOURED EXCEPT FOR EARTH WIRES WHICH ARE TO BE GREEN/YELLOW.
- A DOT ON A LINK ( ) INDICATES BOTTOM TERMINAL.
- A 25mm x 4mm HDHC COPPER EARTH BAR IS TO BE MADE AND BOLTED TO THE CABINET EARTH STUD AND THE TERMINAL ROW B MOUNTING CHANNEL AS SHOWN IN DETAIL 1. THE EARTH BAR IS TO BE DRILLED TO ACCOMMODATE INDIVIDUAL CONNECTIONS FROM THE PANEL DOOR, LINKS, RELAY CASES AND THE 6mm CABLE FROM THE SUBSTATION EARTH BAR. CONNECTIONS ARE TO BE EVENLY SPACED ALONG LENGTH OF EARTH BAR.
- EARTH CONNECTIONS DESIGNATED ARE TO BE CONNECTED INDIVIDUALLY TO THE EARTH BAR.
- FOR LOOM METHOD OF WIRING REFER TO DRAWING A1-52474.
- THIS WALL MOUNTED PANEL IS TO BE CONSTRUCTED IN ACCORDANCE WITH MARK 2 OF DWG A2-28632.
- LABELS ARE TO BE MADE AND POSITIONED AS SHOWN ON DRAWING B1-178241. DRILLING FOR RELAYS AND LINKS ARE SHOWN ON DRAWINGS B1-178241 AND A2-191086.
- ON THE WIRING DIAGRAM TERMINALS ARE NOMINATED AS TERMINAL ROW-TERMINAL NUMBER, eg TB-4 MEANS THE 4th TERMINAL ON TERMINAL ROW B.

LINE DIAGRAM

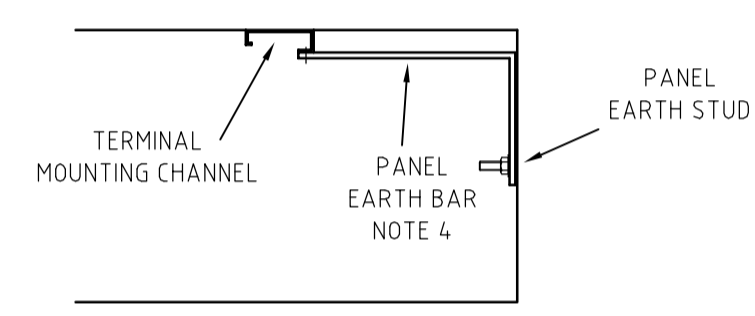
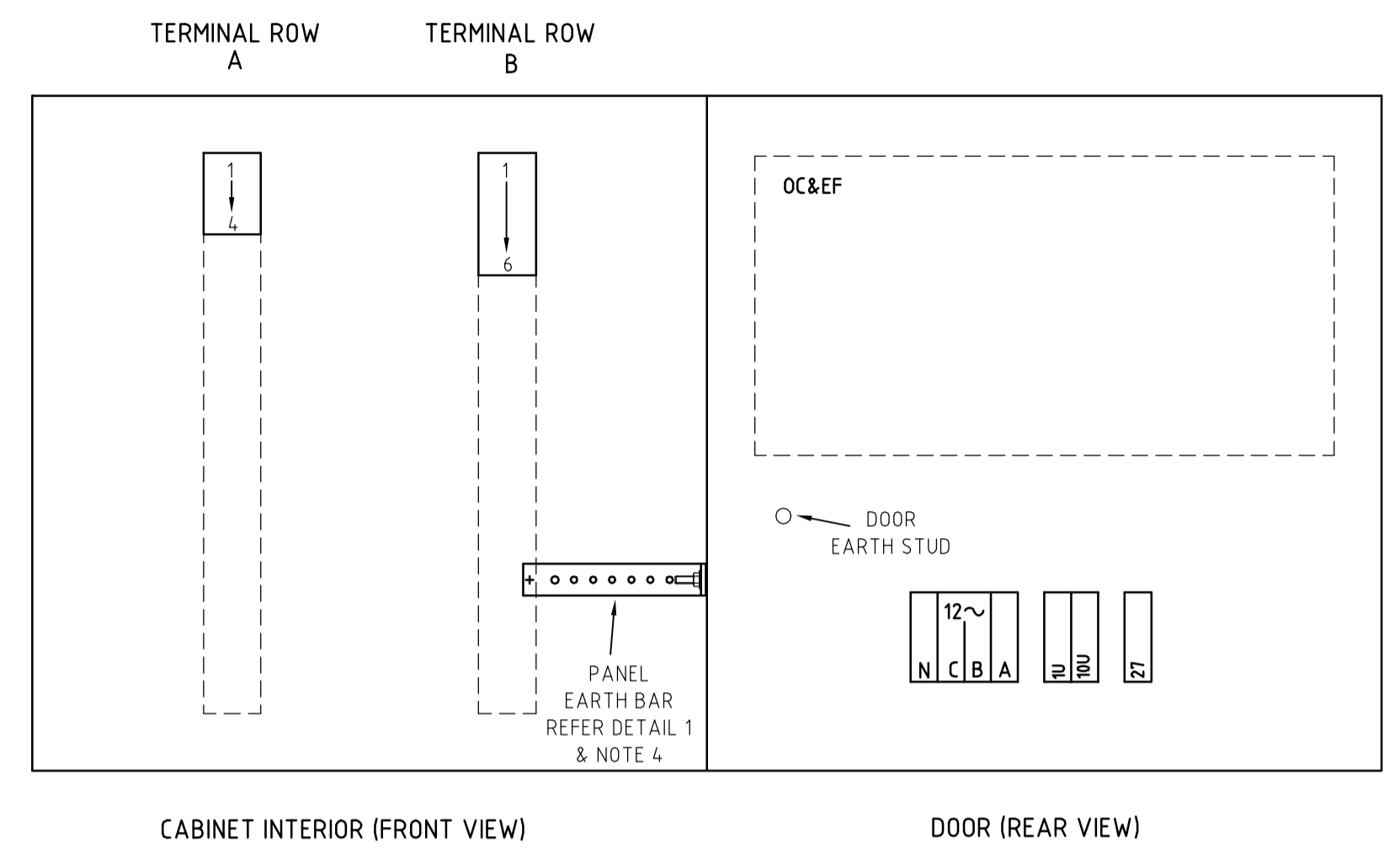


DC SCHEMATIC



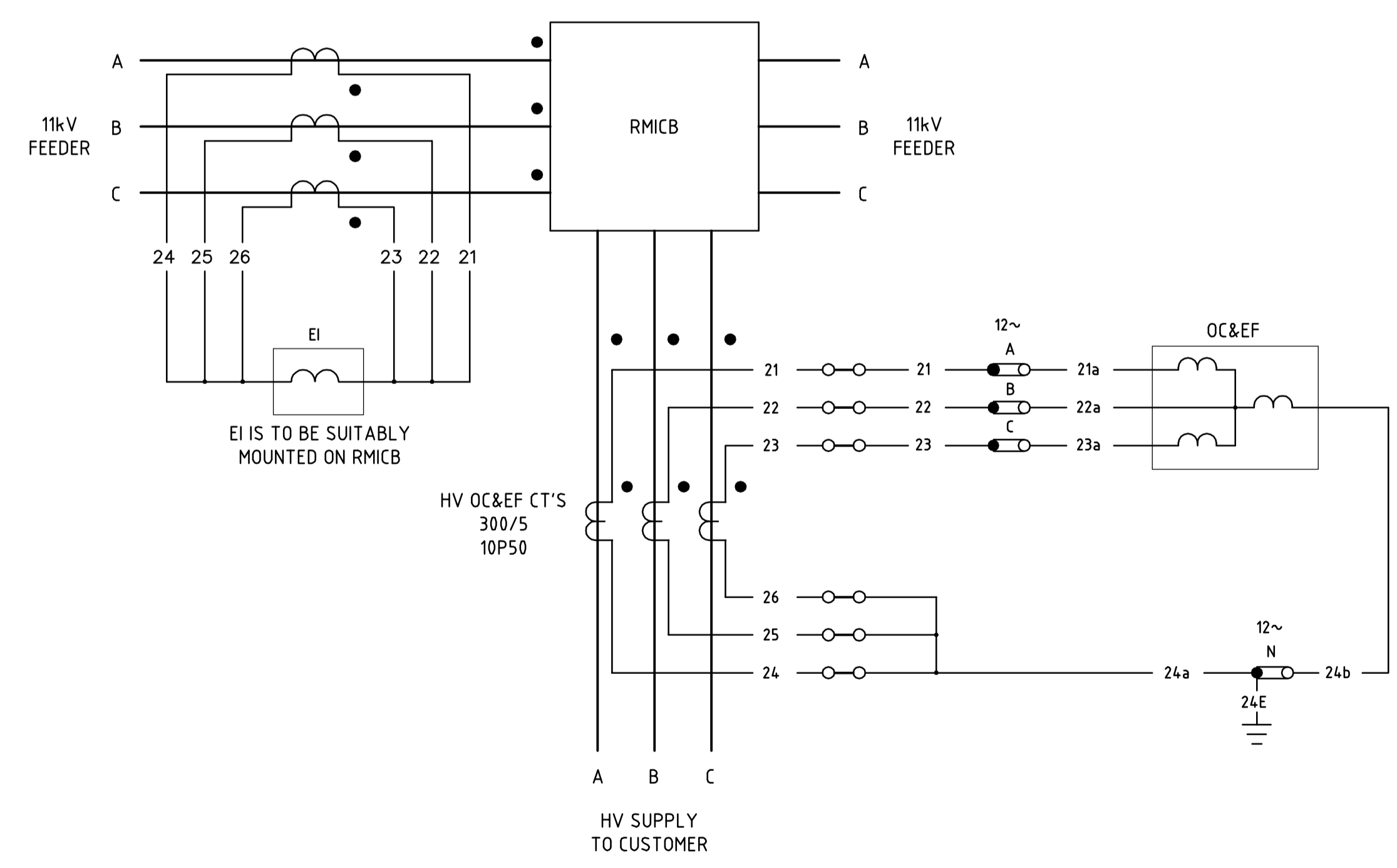
REFERENCE DRAWINGS	
DISTRIBUTION SUBSTATIONS LABELS & MOULDED LINK DETAILS	B1-178241
DISTRIBUTION SUBSTATIONS PROTECTION RELAY DRILLING DETAILS	A2-191086
LOOM METHOD OF PANEL WIRING	A1-52474
WALL MOUNTED RELAY PANEL STEELWORK	A1-28632
UTILUX H3820 RAIL MOUNTED TERMINALS	A3-118547

DRILLING DETAILS  
REFER NOTE 7  
SCALE 15



DETAIL 1  
CABINET INTERIOR (PLAN VIEW)  
EARTH BAR LOCATION  
SCALE 15

AC SCHEMATIC



LABEL DETAILS						
LABEL	LABEL SIZE	COLOUR	TEXT LINE	TEXT HEIGHT	ENGRAVING	No OFF
1	C2	GRAVOPLLY No.200 WHITE/BLACK	LINE 1 LINE 2 LINE 3	2.5 2.5 2.5	OVERCURRENT & EARTH FAULT BATTERY LINK	1
2	C3	GRAVOPLLY No.248 RED/WHITE	LINE 1 LINE 2 LINE 3 LINE 4	4.0 2.5 2.5 2.5	10 1 20V DC BUS MASTER BATTERY LINKS	1
3	C1	GRAVOPLLY No.259 PINE GREEN/WHITE	LINE 1 LINE 2 LINE 3 LINE 4	4.0 2.5 2.5 2.5	A B C N OVERCURRENT & EARTH FAULT CT TEST LINKS	1

LEGEND		
SYMBOL	DESCRIPTION	TYPE
	OVERCURRENT & EARTH FAULT RELAY	CDG 33
	EARTH FAULT INDICATOR	EF13
	TERMINALS TYPE UTILUX TYPE H3820 WITH UTILUX H2233 MOUNTING CHANNEL	
	TRIP COIL	
	AUXILIARY SWITCH (Open when CB Open)	
	11kV RING MAIN ISOLATOR CIRCUIT BREAKER	

CAD DRAWING  
DO NOT MANUALLY RE-EDIT  
AMENDMENTS  
1. DRAWING UPGRADED TO NETWORK STANDARD SUITABILITY.  
PN 208/16/9/2  
P. JARVIS 30.12.08  
CHECKED: P. EASTON  
APPROVED: M. THOMSON



SCALE	AS SHOWN
DESIGNED	-
DRAWN	P. JARVIS
CHECKED	P. EASTON
APPROVED	P. HALLEN
DATE	13.06
PRJTRK No.	-
PROJECT NUMBER	103/59/1/2

RMICB SUBSTATIONS  
HIGH VOLTAGE CUSTOMER SUBSTATIONS  
WALL MOUNTED PROTECTION PANEL  
SCHEMATICS, DRILLING AND WIRING

DRAWING No	173997	SHEET	1	AMD	1	SIZE	B1
------------	--------	-------	---	-----	---	------	----